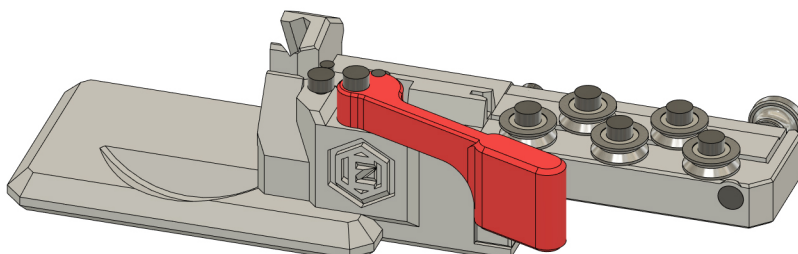
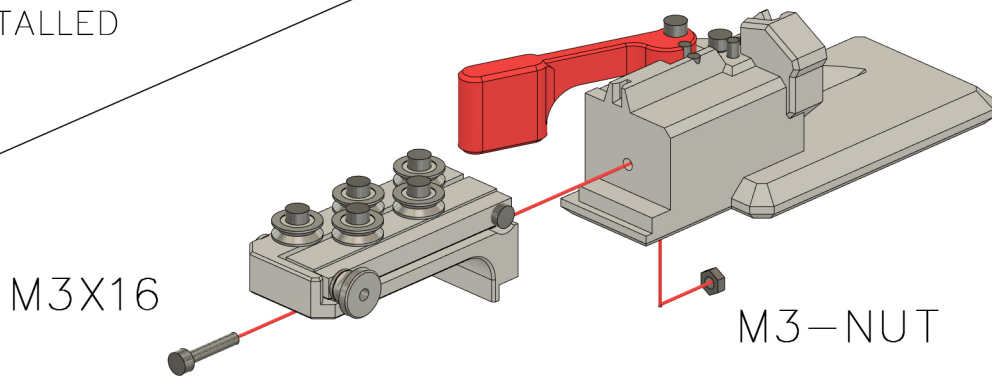
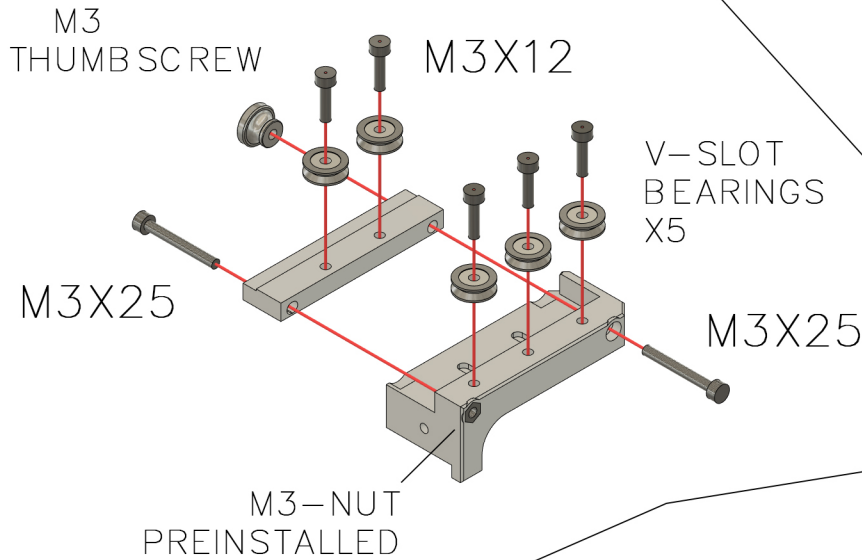
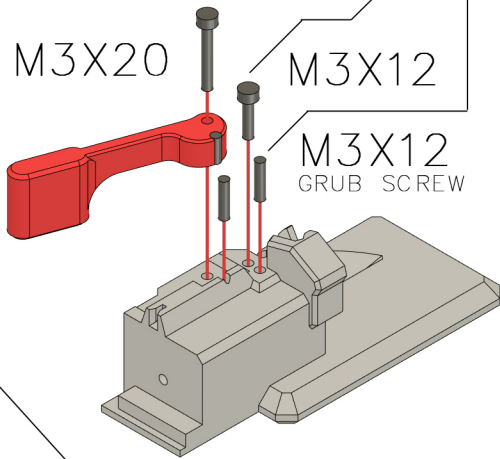
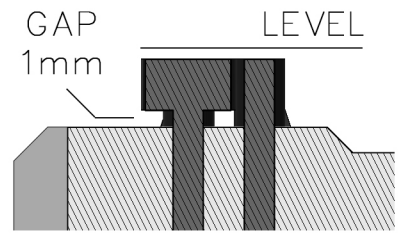
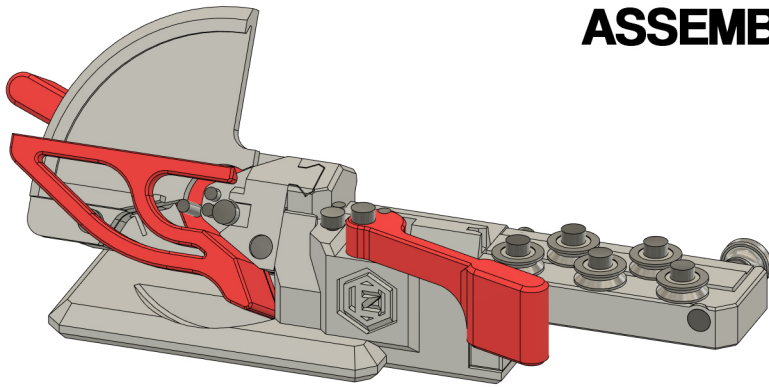


# SPRING MAKER

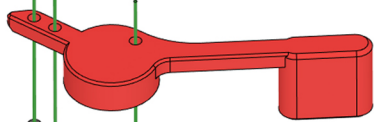
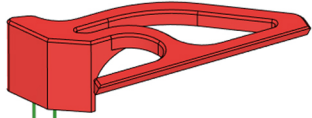
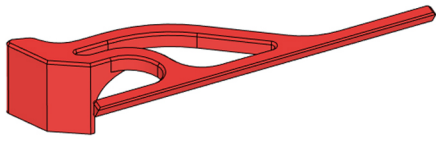
## ASSEMBLY INSTRUCTIONS

0.4 - 0.8mm WIRE



SPRING  
MAKER  
BASE

ALTERNATIVE PART



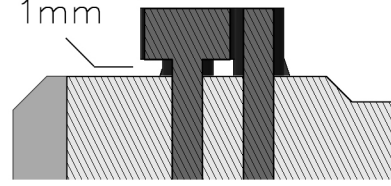
M3X12  
GRUB SCREW

M3X16



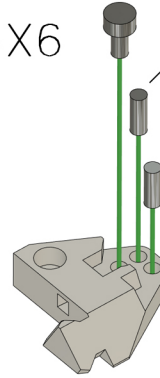
GAP  
1mm

LEVEL



M3X6

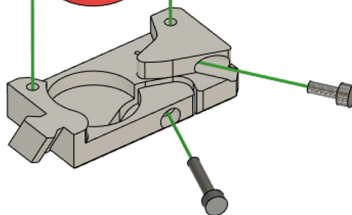
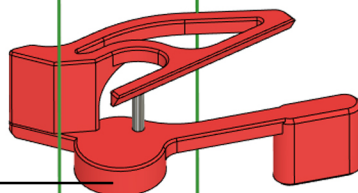
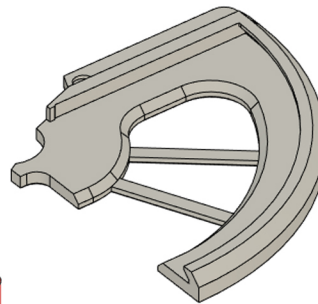
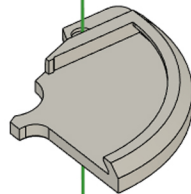
M3X8  
GRUB SCREW



M3X12

M3X12

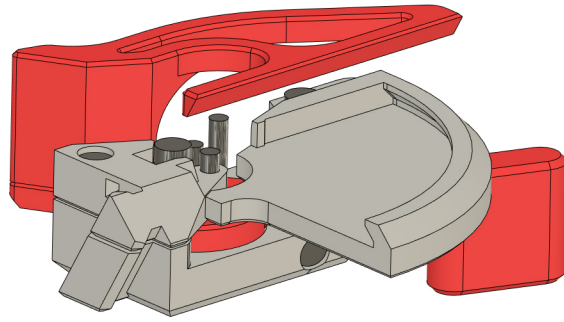
ALTERNATIVE PART



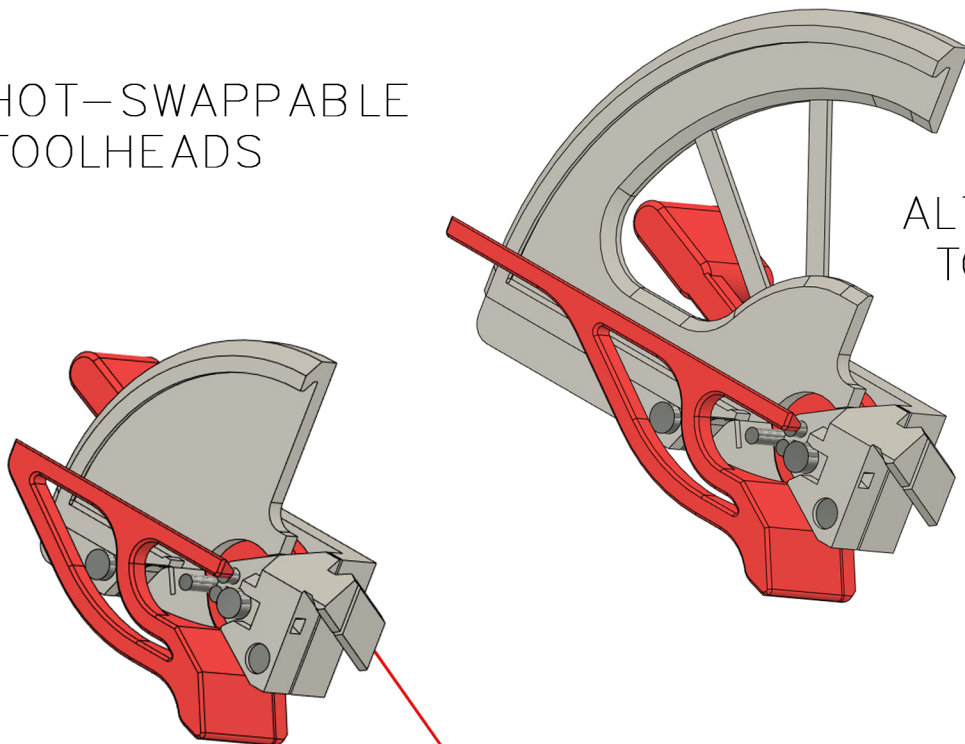
M3X8  
WIRE BEND ANGLE  
ADJUSTMENT SCREW

M3X16  
BEND LEVER TIGHTNESS  
ADJUSTMENT SCREW

SPRING  
MAKER  
TOOLHEAD

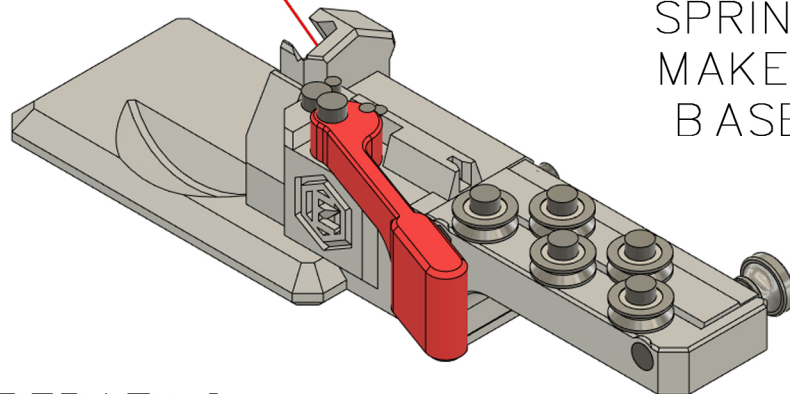


HOT-SWAPPABLE  
TOOLHEADS



ALTERNATIVE  
TOOLHEAD

SPRING  
MAKER  
BASE



OPERATING  
INSTRUCTIONS

<https://www.youtube.com/watch?v=Rn-QlfGVMaA>

